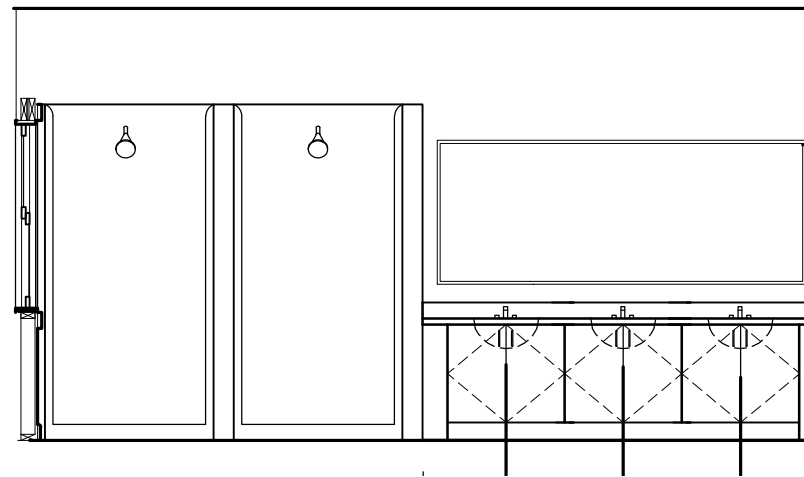
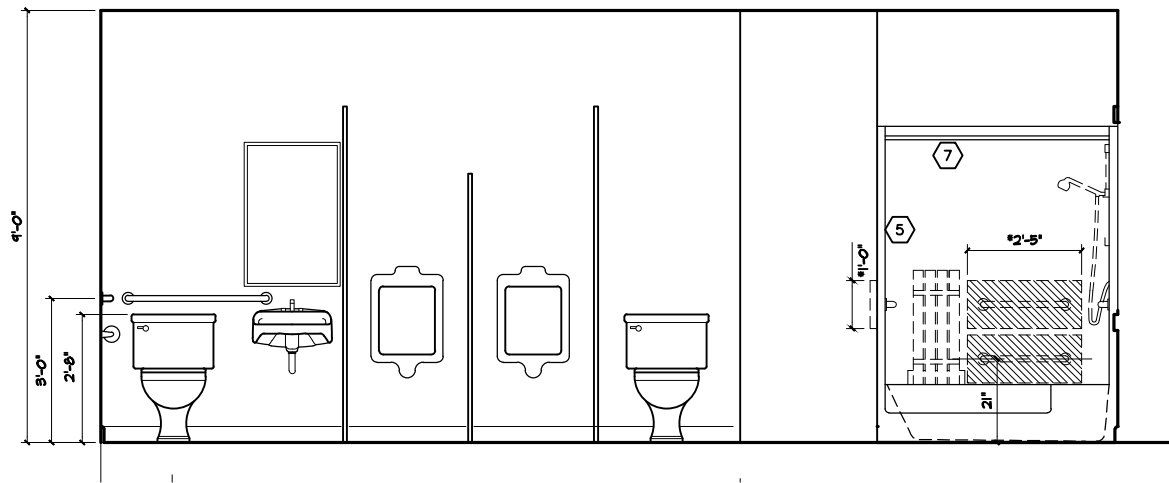


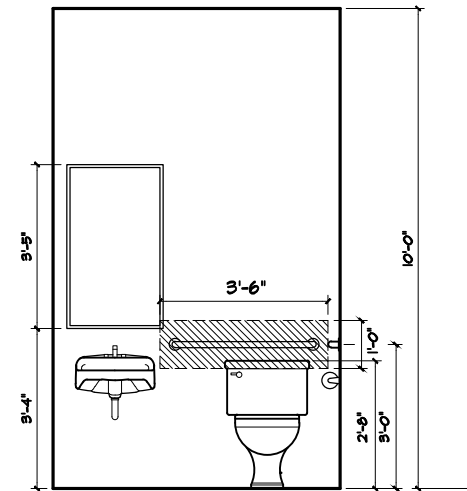
EAST ELEVATION - RM # 214



WEST ELEVATION - RM # 214 & 312



EAST ELEVATION - ROOM # 312



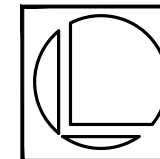
BATHROOM - HA TOILET

BATHROOM INTERIOR ELEVATIONS

SCALE: 1/4" = 1'-0"

DATE 03-23-2012

O+A JOB# 0532



OLSEN+ASSOCIATES

Architecture ■ Development ■ Planning

3121 VILLAGE OFFICE PLACE ■ VILLAGE AT THE CROSSING
CHAMPAIGN ■ ILLINOIS ■ 61822 ■ 217-368-3463